

Shanghai Goodview Electronics Technology Co. Ltd.

LCD Stretched Screen

Model:PF19SL

Revision History

Part number	Version	Publish date	Written by	Auditing	Approval	Remarks
1420201	GV-PF19SL- GGS20170519	2017-5-19	胡俊杰			

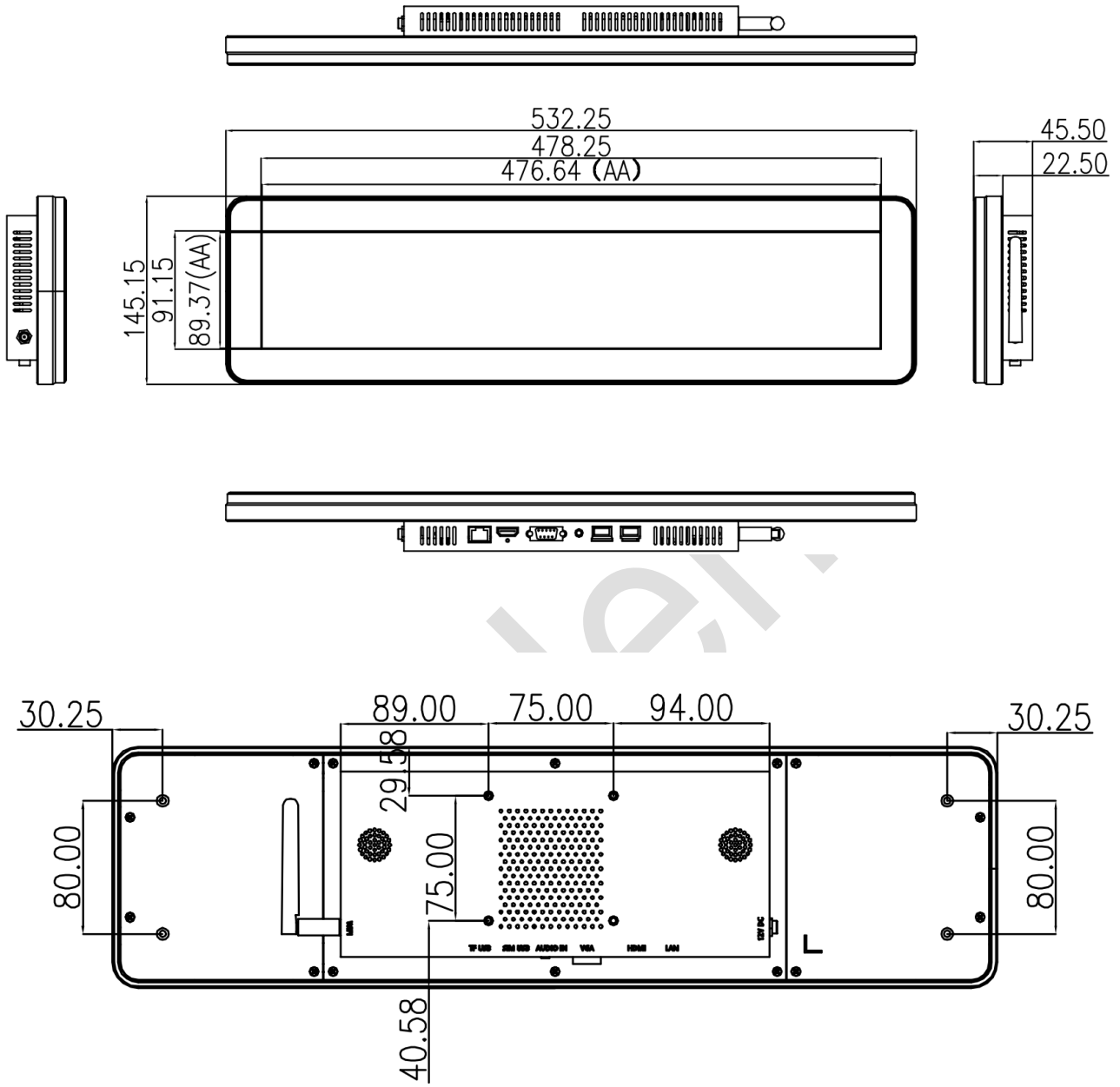
Note: All right reserved by Goodview. Please contact with us for the latest updates.

Product Specifications

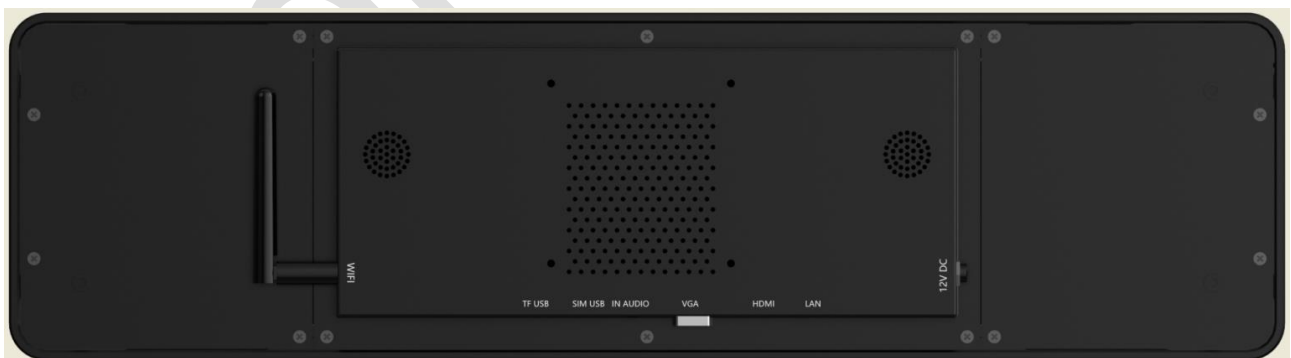
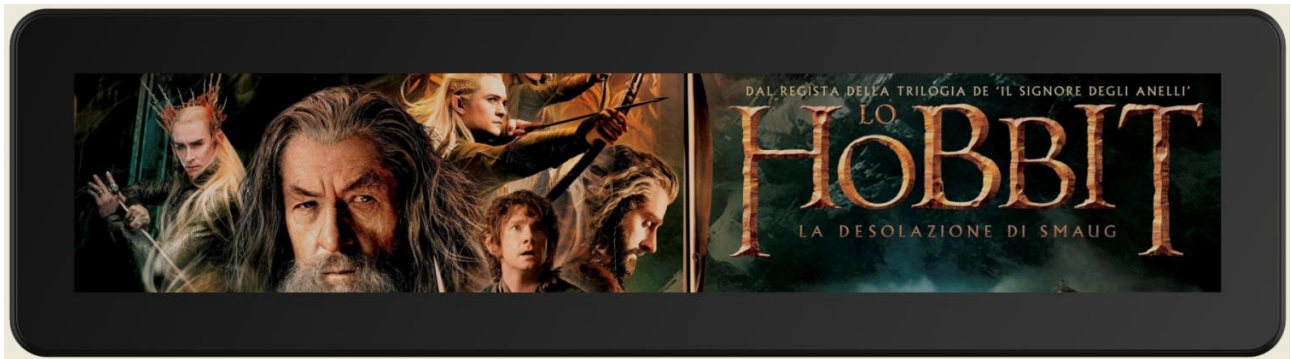
Display	
Panel	19 inches LED backlight
Active Area(mm)	476.064(H)x 89.37(V)
Aspect Ratio	16:3
Resolution	1920×360
Brightness	300 cd/m2
Contrast Ratio	1200:1
Viewing Angle	(R/L 89 (Min.), U/D 89 (Min.))
Display Colors	6bit, 16.7 Million
Color temperature	10000K
Life Expectancy	50000 hours
Response Time	30ms
System configuration	
Operating system	Android 5.1
CPU	Four cores ARM Cortex A17 (max1.8GHz)
GPU	Four cores ARMMail-764
Memory	2GB DDR3
Storage	8G eMMc / NAND FLASH
External ports	
Signal ports	HDMIx1,VGA INx1, VGA Audio IN x1
Network ports	LAN*1 (10/100M Ethernet) 、WiFi (802.11bgn)
Storage extension	Micro TF Cardx1 32G (Max)
Other ports	DC In×1 \ USB (2.0) ×2 \ SIM Card×1
Multimedia	
media file formats	Video: MPEG1、MPEG2、MPEG4、H.264、WMV、MKV、TS、flv and other mainstream video formats
	audio: MP3 and other audio formats.
	picture: JPG、JPEG、BMP、PNG、GIF
	text: txt
	Other: Interactive playback
Play mode	Horizontal screen, Full screen display
Program transmission mode	USB、LAN、Wan
Machine parameters	
Product size (mm)	145.15 (H) × 532.25 (V) × 45.5 (D)
Carton size (mm)	246 (H) × 636.7 (V) × 128 (D)
VESA (mm)	75×75
Screen suspension mode	Landscape

Menu language	Chinese, English
Machine color	black
Weight	net: 2.7KG gross: 3.9KG
Power consumption	20W (Max)
Speaker	Stereo 2×2W 4Ω
Smart volume	Time-sharing volume
Watchdog function	support
Timing	Multi-time timing power on/off, port timing automatic switch
Management software	C/S framework: ADPE/Ezposter B/S framework: GTV Information Distribution System
Power supply	DC 12V
Working environment	0~40℃ 10% ~ 85%RH No condensation
Storage environment	-10~60℃ 10% ~ 90%RH No condensation
Accessories	1.Remote control x 1 2.AAA battery x 2 3.2.4G WIFI antenna x 1 4.DC 12V adapterx1
Certificates	CCC/CE/UL/ETL

Schematic Drawing

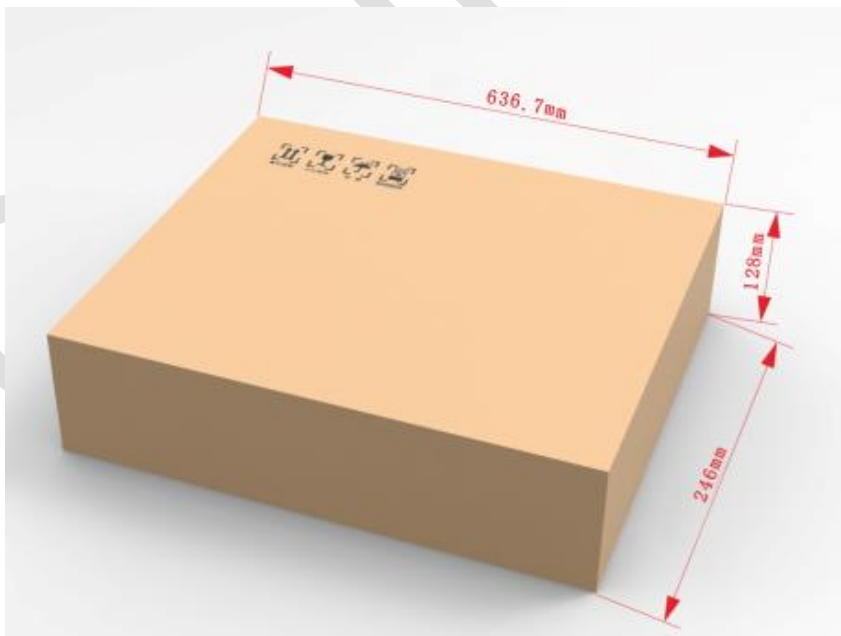


Product Images





Packaging



Note: All right reserved by Goodview. Please contact with us for the latest updates.